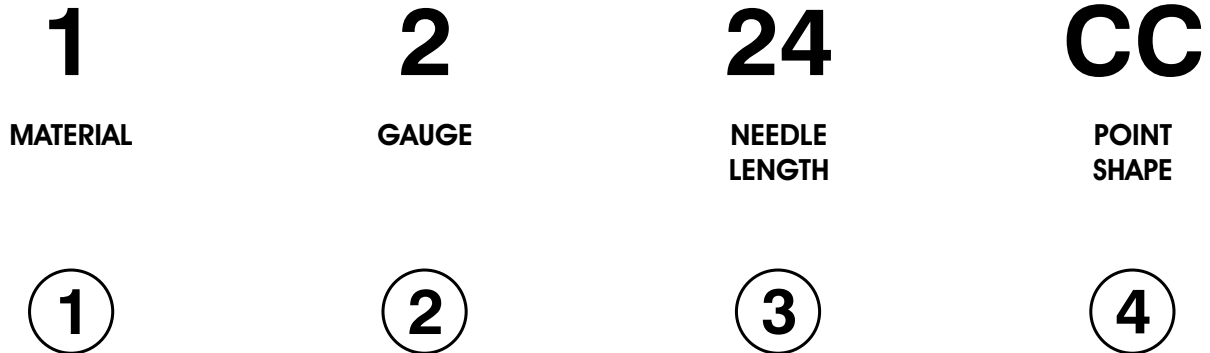




Catalogue

HOW TO USE THIS CATALOGUE

THE FOLLOWING SEQUENCE IS USED TO CODE A SUTURE



A PLAIN GUT STRAND, 2/0 GAUGE, ATTACHED TO A 24mm CONVENTIONAL CUTTING NEEDLE

CODE ① MATERIAL	CODE ② GAUGE	CODE ③ LENGTH	CODE ④ POINT SHAPE
1 GUT, PLAIN - CliniGut	6 = 6/0	NEEDLE LENGTH IN mm	TF TAPER FINE
2 GUT, CHROMIC - CliniGut	5 = 5/0		TH TAPER HEAVY
3 POLYGLYCOLIC ACID - CliniSorb	4 = 4/0	TC TAPER CUTTING	TCH TAPER CUTTING HEAVY
Q 3 POLYGLYCOLIC ACID - CliniSorb Q	3 = 3/0		RC REVERSE CUTTING
4 TROFILENE - CliniTro	2 = 2/0	FRC FINE REVERSE CUTTING	CC CONVENTIONAL CUTTING
5 SILK - CliniSilk	0 = 0		FCC FINE CONVENTIONAL CUTTING
6 NYLON - CliniLon	1 = 1	ST STRAIGHT TAPER	SC STRAIGHT CUTTING
7 POLYESTER FIBRE - CliniEster	22 = 2		BP BLUNT POINT
8 POLY (P-DIOXANONE) - CliniSolv		SG SUPER GLIDE (REVERSE CUTTING)	
Q 8 POLY (GLYCOLIDE-CO-CAPRO LACTONE) - CliniMono Q			
9 POLYPROPYLENE - CliniLene			
10 LINEN - CliniLin			

NEEDLE PROFILES

- ⊕ TAPER CUTTING
● ROUND BODY
▲ CONVENTIONAL CUTTING
▼ REVERSE CUTTING

The International Colour Coding system is used for CliniSut sutures and is as depicted on the page on which the suture appears.



A cut above the rest

At **CliniSut** we take pride in our quality products and customer service and always strive to do the right things right, first time.

CliniSut, a subsidiary of **Akacia Healthcare**, was born out of the necessity to provide a product of the highest quality at a competitive price. **CliniSut** products exceed the standards of strength and durability as set by the British, European and United States Pharmacopoeias resulting in a product comparable to the best available.

To endorse our commitment to quality, Production and Distribution is controlled by a Quality Management System, certified to ISO 9001, ISO 13485 and Medical Directive 93/42/EEC (CE Marking).

CliniSut sutures are made in cleanroom conditions to the highest standards and, depending on the product, are sterilised either by gamma radiation or by ethylene-oxide gas. Automated packaging and a unique pouch system, both of which are patented designs, have made **CliniSut** products even more user-friendly.

Speciality products are manufactured using mechanically-drilled needles, providing the best needle/suture combinations for easier passage through tissue, and ensuring less tissue trauma.

Choosing **CliniSut** products will result in an appreciation of the contribution made by **CliniSut** in obtaining superior wound closures.

• INDEX •

CliniGut

PLAIN CATGUT SUTURES

4 - 5

Tensile strength maintained for 7 - 10 days. Absorption complete in 90 days.
Used in tissues which heal rapidly and require minimum support-ligating superficial blood vessels and suturing sub-cutaneous fatty tissue.

CliniGut

CHROMIC CATGUT SUTURES

6 - 8

Tensile strength maintained for 10 - 14 days. Absorption complete in 90 days. Suitable for gynae procedures, general surgery, urology, approximation of fatty tissue and sub-cutaneous layers.

CliniSorb

VIOLET & UNDYED BRAIDED PGA SUTURES

9 - 13

Predictable absorption 85% of tensile strength at 14 days, 50% at 21 days and 25% at 28 days, absorption complete in 56 - 70 days.
Indications are dental, general skin closure, gynae, plastic, general, orthopedic and urology.

CliniSorb Q

UNDYED BRAIDED PGA SUTURES RAPID ABSORPTION

14 - 15

Tensile strength maintained for 7 - 10 days. Absorption complete in 42 days.
Indications for superficial soft tissue and approximation of skin and soft tissue.

CliniTro

BLUE MONOFILAMENT PVDF SUTURES

16

A new generation of synthetic, non-absorbable monofilament suture. Excellent handling and tying properties. Inert, very smooth and virtually no memory.
Used in skin closure, vascular and orthopedic surgery.

CliniSilk

BLACK BRAIDED SILICONE SILK SUTURES

17 - 20

Braided multifilament non-absorbable suture. Silicone coated to prevent wicking, very supple, high knot security.
Indicated for soft tissue approximation and ligation.

CliniLon

BLUE MONOFILAMENT NYLON SUTURES

21 - 23

Synthetic monofilament, non-absorbable suture. High tensile strength, low tissue reactivity, non capillarity.
Easy handling and excellent passage through tissue and secure knotting. Used for skin closure, general soft tissue approximation and ligation.

CliniEster

GREEN BRAIDED POLYESTER SUTURES

24 - 25

Synthetic braided non-absorbable suture. High tensile strength. Minimal acute inflammatory reaction.
Suitable for cardiac and orthopedic surgery - tendon repairs, valve replacement.

CliniSolv

VIOLET & UNDYED MONOFILAMENT ABSORBABLE SUTURES

26 - 27

Predictable absorption 70% of tensile strength at 14 days, 50% at 56 days. Absorption complete in 180 - 210 days.
Indicated for skin closure and non-permanent wound support - urology, orthopedic, general and gynae.

CliniMono Q

UNDYED MONOFILAMENT RAPID ABSORBABLE SUTURES

28 - 29

High initial tensile strength diminishing after 14 days. 60% tensile strength at 7 days, 40% at 14 days and absorption complete in 90 days.
Used for skin closure and non-permanent wound support, general, gynae, urology and plastic.

CliniLene

BLUE MONOFILAMENT POLYPROPYLENE SUTURES

30 - 33

Synthetic monofilament non-absorbable suture. Exceptionally smooth, pliable and soft.
Totally inert, high tensile strength and very good knot security. Indicated for plastic surgery, digestive procedures, cardiac vascular and arteriotomy, general surgery and hernia repairs.

CliniLin

IVORY LINEN SUTURES

34


Natural linen (flax) sutures. Tensile strength increases when wet.
Linen is soft and pliable, has high knot security and is indicated in ENT surgery.

GAUGE

USP	6/0	5/0	4/0	3/0	2/0	0	1	2
METRIC	1	1.5	2	3	3.5	4	5	6

NEEDLE THREAD
SHAPE LENGTH

12mm



▼ REVERSE CUTTING (RC)

3/8 75

1412 RC

16mm



▲ CONVENTIONAL CUTTING (CC)

3/8 75

1416 CC 1316 CC

17mm



● TAPER FINE (TF)

1/2 75

1417 TF

19mm



▼ REVERSE CUTTING (RC)

3/8 75

1419 RC 1319 RC

22mm



● TAPER FINE (TF)

1/2 75

1322 TF 1222 TF

24mm




▼ REVERSE CUTTING (RC)


3/8 75

1324 RC 1224 RC

26mm



▼ REVERSE CUTTING (RC)



● TAPER FINE (TF)

3/8 75

1326 RC

1/2 75

1426 TF 1326 TF 1226 TF

30mm



● TAPER FINE (TF)

1/2 75


1330 TF 1230 TF 1030 TF 1130 TF

GAUGE

USP	6/0	5/0	4/0	3/0	2/0	0	1	2
METRIC	1	1.5	2	3	3.5	4	5	6

NEEDLE THREAD
SHAPE LENGTH


36mm



- TAPER FINE (TF)
- TAPER HEAVY (TH)

1/2	75			1236 TF	1036 TF	1136 TF		
1/2	75						1136 TH	


40mm



- ▼ REVERSE CUTTING (RC)
- TAPER FINE (TF)
- TAPER HEAVY (TH)

1/2	75						1140 RC	
1/2	75			1240 TF	1040 TF	1140 TF		
1/2	75						1140 TH	


45mm



- TAPER HEAVY (TH)

1/2	75							12245 TH
-----	----	--	--	--	--	--	--	----------

50mm



- TAPER FINE (TF)

1/2	75			1250 TF				
-----	----	--	--	---------	--	--	--	--

PLAIN CATGUT LIGATURES

TIES


STANDARD LENGTHS	-	1 X 150		P101	P102	P103	P104	P105	P106
------------------	---	---------	--	------	------	------	------	------	------

GAUGE

	6/0	5/0	4/0	3/0	2/0	0	1	2
USP	6/0	5/0	4/0	3/0	2/0	0	1	2
METRIC	1	1.5	2	3	3.5	4	5	6

NEEDLE THREAD
SHAPE LENGTH


12mm




▼ REVERSE CUTTING (RC)

3/8	45	2612 RC						
-----	----	---------	--	--	--	--	--	--

13mm



▼ REVERSE CUTTING (RC)




▼ REVERSE CUTTING-DOUBLE (RC2)

3/8	45	2613 RC	2513 RC					
-----	----	---------	---------	--	--	--	--	--

3/8	45		2513 RC2					
-----	----	--	----------	--	--	--	--	--

16mm



▲ CONVENTIONAL CUTTING (CC)

▼ REVERSE CUTTING (RC)

● TAPER FINE (TF)

● TAPER FINE (TF)


3/8	75		2416 CC	2316 CC				
-----	----	--	---------	---------	--	--	--	--

3/8	75			2316 RC				
-----	----	--	--	---------	--	--	--	--

3/8	75		2416 TF					
-----	----	--	---------	--	--	--	--	--

1/2	75		2516 TF	2316 TF				
-----	----	--	---------	---------	--	--	--	--


19mm




▼ REVERSE CUTTING (RC)

3/8	75		2519 RC	2419 RC	2319 RC			
-----	----	--	---------	---------	---------	--	--	--

20mm



▲ CONVENTIONAL CUTTING (CC)




● TAPER FINE (TF)

3/8	75		2420 CC					
-----	----	--	---------	--	--	--	--	--

1/2	75		2420 TF	2320 TF	2220 TF			
-----	----	--	---------	---------	---------	--	--	--

22mm




● TAPER FINE (TF)

1/2	75		2422 TF	2322 TF				
-----	----	--	---------	---------	--	--	--	--


GAUGE

USP	6/0	5/0	4/0	3/0	2/0	0	1	2
METRIC	1	1.5	2	3	3.5	4	5	6


26mm




- ▼ REVERSE CUTTING (RC)
- ⊕ TAPER CUTTING (TC)
- TAPER FINE (TF)
- ▼ REVERSE CUTTING (RC)




30mm



- ▼ REVERSE CUTTING (RC)
- TAPER FINE (TF)
- ⊕ TAPER CUTTING (TC)




36mm



- ▼ REVERSE CUTTING (RC)
- ⊕ TAPER CUTTING (TC)
- TAPER FINE (TF)
- TAPER HEAVY (TH)

40mm



- BLUNT POINT (BP)
- ▼ REVERSE CUTTING (RC)
- TAPER FINE (TF)
- TAPER HEAVY (TH)

NEEDLE THREAD
SHAPE LENGTH


NEEDLE SHAPE	THREAD LENGTH	6/0	5/0	4/0	3/0	2/0	0	1	2
1/2	75					2226 RC	2026 RC		
1/2	75					2226 TC			
1/2	75			2426 TF	2326 TF	2226 TF			
3/8	75				2326 RC				
3/8	75				2330 RC	2230 RC			
1/2	75				2330 TF	2230 TF	2030 TF	2130 TF	
1/2	75					2230 TC			
1/2	75					2236 RC	2036 RC	2136 RC	
1/2	75						2036 TC		22236 TC
1/2	75					2236 TF	2036 TF		
1/2	75							2136 TH	22236 TH
1/2	75							2140 BP	
1/2	75						2040 RC	2140 RC	22240 RC
1/2	75					2240 TF	2040 TF	2140 TF	
1/2	75					2240 TH	2040 TH	2140 TH	22240TH

GAUGE

USP	6/0	5/0	4/0	3/0	2/0	0	1	2
METRIC	1	1.5	2	3	3.5	4	5	6

NEEDLE THREAD
SHAPE LENGTH

45mm



- ⊕ TAPER CUTTING HEAVY (TCH)
- TAPER FINE (TF)
- TAPER HEAVY (TH)

1/2	75
-----	----

							2145 TCH	22245 TCH
--	--	--	--	--	--	--	----------	-----------


1/2	75
-----	----

				2245 TF				
--	--	--	--	---------	--	--	--	--

1/2	75
-----	----

							2145 TH	22245 TH
--	--	--	--	--	--	--	---------	----------

48mm



- ▼ REVERSE CUTTING (RC)
- TAPER HEAVY (TH)


1/2	75
-----	----

							2148 RC	
--	--	--	--	--	--	--	---------	--

1/2	75
-----	----

							2148 TH	22248 TH
--	--	--	--	--	--	--	---------	----------

50mm



- ▼ REVERSE CUTTING (RC)
- TAPER HEAVY (TH)


1/2	75
-----	----

							2150 RC	22250 RC
--	--	--	--	--	--	--	---------	----------

1/2	75
-----	----

			2250 TH	2050 TH	2150 TH	22250 TH		
--	--	--	---------	---------	---------	----------	--	--

63mm




- BLUNT POINT (BP)

3/8	75
-----	----

				2263 BP			2163 BP	
--	--	--	--	---------	--	--	---------	--

64mm



- BLUNT POINT (BP)

3/8	75
-----	----

						2064 BP		
--	--	--	--	--	--	---------	--	--

CHROMIC CATGUT LIGATURES

TIES

STANDARD LENGTHS

-	1 X 150
---	---------

			C211	C212	C213	C214	C215	C216
--	--	--	------	------	------	------	------	------

GAUGE

USP	6/0	5/0	4/0	3/0	2/0	0	1	2
METRIC	0.7	1	1.5	2	3	3.5	4	5

NEEDLE THREAD
SHAPE LENGTH

11mm



▼ FINE REVERSE CUTTING UNDYED (FRC)

3/8 45

3511 FRC-U

13mm



▼ SUPER GLIDE UNDYED (SG-U)

▼ REVERSE CUTTING (RC)

● TAPER FINE (TF)



● TAPER FINE (TF)

3/8 45

3613 SG-U 3513 SG-U 3413 SG-U

3/8 45

3613 RC 3513 RC 3413 RC

3/8 60

3413 TF

1/2 45

3613 TF 3513 TF

16mm



▼ SUPER GLIDE UNDYED (SG-U)

▲ CONVENTIONAL CUTTING (CC)

▲ CONVENTIONAL CUTTING (CC)

▼ REVERSE CUTTING (RC)

▼ REVERSE CUTTING (RC)

3/8 70

3516 SG-U

3/8 45

3416 CC 3316 CC

3/8 75

3516 CC

3/8 75

3316 RC

3/8 45

3516 RC

17mm



● TAPER FINE (TF)

1/2 70

3517 TF 3417 TF 3317 TF

19mm



▼ SUPER GLIDE UNDYED (SG-U)

▼ REVERSE CUTTING (RC)

▼ REVERSE CUTTING-UNDYED (RC)

3/8 70

3419 SG-U 3319 SG-U

3/8 45

3519 RC 3419 RC 3319 RC

3/8 45

3419 RC-U 3319 RC-U

GAUGE

	6/0	5/0	4/0	3/0	2/0	0	1	2
USP	6/0	5/0	4/0	3/0	2/0	0	1	2
METRIC	0.7	1	1.5	2	3	3.5	4	5

NEEDLE THREAD
SHAPE LENGTH

20mm

▲ CONVENTIONAL CUTTING (CC)

● TAPER FINE (TF)

3/8	75
-----	----

				3320 CC			
--	--	--	--	---------	--	--	--

1/2	75
-----	----

		3420 TF	3320 TF				
--	--	---------	---------	--	--	--	--

22mm

▲ CONVENTIONAL CUTTING (C)

● TAPER FINE (TF)

● TAPER FINE (TF)

1/2	45
-----	----

				3322 CC			
--	--	--	--	---------	--	--	--

1/2	70
-----	----

				3322 TF			
--	--	--	--	---------	--	--	--

1/2	75
-----	----

		3422 TF					
--	--	---------	--	--	--	--	--

24mm

▼ SUPER GLIDE UNDYED (SG-U)

▼ REVERSE CUTTING (RC)

3/8	70
-----	----

				3324 SG-U	3224 SG-U		
--	--	--	--	-----------	-----------	--	--

3/8	70
-----	----

		3424 RC	3324 RC	3224 RC			
--	--	---------	---------	---------	--	--	--

26mm

▲ CONVENTIONAL CUTTING (CC)

▼ REVERSE CUTTING (RC)

▼ REVERSE CUTTING (RC)

⊕ TAPER CUTTING (TC)

● TAPER FINE (TF)

● TAPER FINE (TF)

3/8	75
-----	----

		3426 CC	3326 CC	3226 CC			
--	--	---------	---------	---------	--	--	--

3/8	45
-----	----

				3326 RC			
--	--	--	--	---------	--	--	--

3/8	75
-----	----

					3226 RC	3026 RC	
--	--	--	--	--	---------	---------	--

1/2	70
-----	----

				3326 TC			
--	--	--	--	---------	--	--	--

1/2	75
-----	----

		3426 TF				3026 TF	
--	--	---------	--	--	--	---------	--

1/2	70
-----	----


				3326 TF	3226 TF		
--	--	--	--	---------	---------	--	--

GAUGE


USP	6/0	5/0	4/0	3/0	2/0	0	1	2
METRIC	0.7	1	1.5	2	3	3.5	4	5

NEEDLE THREAD
SHAPE LENGTH

30mm




- ▼ REVERSE CUTTING (RC)
- ▼ REVERSE CUTTING (RC)



- ⊕ TAPER CUTTING (TC)
- TAPER FINE (TF)
- TAPER FINE (TF)
- TAPER HEAVY (TH)

3/8	70							3230 RC
3/8	75							3330 RC
1/2	75							3030 TC
1/2	75							3230 TF 3030 TF 3130 TF
1/2	70							3330 TF
1/2	75							3030 TH 3130 TH


35mm



- ⊕ TAPER CUTTING (TC)
- ⊕ TAPER CUTTING (TC)
- TAPER FINE (TF)
- TAPER HEAVY (TH)

1/2	90							3035 TC 3135 TC
1/2	75							3235 TC
1/2	90							3135 TF
1/2	70							32235 TH

36mm



- ▼ REVERSE CUTTING (RC)
- TAPER FINE (TF)
- TAPER FINE (TF)
- TAPER HEAVY (TH)


1/2	90							3236 RC 3036 RC 3136 RC
1/2	70							3336 TF 3036 TF
1/2	75							3236 TF
1/2	70							3036 TH 3136 TH

GAUGE

USP	6/0	5/0	4/0	3/0	2/0	0	1	2
METRIC	0.7	1	1.5	2	3	3.5	4	5

NEEDLE THREAD
SHAPE LENGTH


40mm



- BLUNT POINT (BP)
- ▼ REVERSE CUTTING (RC)
- ⊕ TAPER CUTTING (TC)
- TAPER FINE (TF)
- TAPER HEAVY (TH)

1/2	90					3040 BP	3140 BP	
1/2	90				3240 RC	3040 RC	3140 RC	32240 RC
1/2	90						3140 TC	
1/2	75				3240 TF	3040 TF	3140 TF	
1/2	90				3240 TH	3040 TH	3140 TH	32240 TH


45mm



- ▼ REVERSE CUTTING (RC)
- TAPER HEAVY (TH)

3/8	75				3245 RC			
1/2	75					3045 TH	3145 TH	32245 TH


48mm



- BLUNT POINT (BP)
- ▼ REVERSE CUTTING (RC)
- TAPER HEAVY (TH)

1/2	90						3148 BP	
1/2	90						3148 RC	
1/2	90					3048 TH	3148 TH	

50mm



- ▼ REVERSE CUTTING (RC)
- TAPER HEAVY (TH)
- TAPER HEAVY (TH)

1/2	75					3050 RC	3150 RC	32250 RC
1/2	70					3050 TH		32250 TH
1/2	75						3150 TH	

GAUGE

	6/0	5/0	4/0	3/0	2/0	0	1	2
USP	6/0	5/0	4/0	3/0	2/0	0	1	2
METRIC	0.7	1	1.5	2	3	3.5	4	5

55mm

STRAIGHT CUTTING (SC)

NEEDLE THREAD
SHAPE LENGTH

STRAIGHT 75

3255 SC

60mm

STRAIGHT CUTTING (SC)

STRAIGHT CUTTING UNDYED (SC)

STRAIGHT 70

3360 SC 3260 SC

STRAIGHT 75

3360 SC-U 3260 SC-U

BRAIDED PGA LIGATURES

TIES

STANDARD LENGTHS

STANDARD LENGTHS

STANDARD LENGTHS

STANDARD LENGTHS

- 135

G313 G314 G315 G316 G317 G318

- 5 X 70

G3213 G3214 G3215 G3216 G3217

- 10 X 50

G3043 G3044 G3045 G3046

- 150

G3023 G3024 G3025 G3026 G3027 G3028

RAPID ABSORPTION

USP	6/0	5/0	4/0	3/0	2/0	0	1	2
METRIC	0.7	1	1.5	2	3	3.5	4	5

NEEDLE THREAD
SHAPE LENGTH


11mm



▼ SUPER GLIDE UNDYED (SG-U)

3/8	45	Q3611 SG-U
-----	----	------------


13mm



▲ FINE CONVENTIONAL CUTTING-UNDYED (FCC-U)
▼ SUPER GLIDE UNDYED (SG-U)
● TAPER FINE-UNDYED (TF-U)
● TAPER FINE-UNDYED (TF-U)

3/8	45	Q3513 FCC-U
3/8	45	Q3613 SG-U Q3513 SG-U Q3413 SG-U
1/2	70	Q3613 TF-U
1/2	45	Q3313 TF-U

16mm



▲ FINE CONVENTIONAL CUTTING-UNDYED (FCC-U)
▼ SUPER GLIDE UNDYED (SG-U)

3/8	75	Q3416 FCC-U Q3316 FCC-U
3/8	70	Q3616 SG-U Q3516 SG-U Q3416 SG-U

17mm



● TAPER FINE-UNDYED (TF-U)

1/2	75	Q3517 TF-U Q3417 TF-U
-----	----	-----------------------


19mm



▼ SUPER GLIDE UNDYED (SG-U)

3/8	70	Q3519 SG-U Q3419 SG-U Q3319 SG-U
-----	----	----------------------------------

20mm



▲ FINE CONVENTIONAL CUTTING UNDYED (FCC-U)


3/8	75	Q3420 FCC-U Q3320 FCC-U
-----	----	-------------------------

RAPID ABSORPTION


USP	6/0	5/0	4/0	3/0	2/0	0	1	2
METRIC	0.7	1	1.5	2	3	3.5	4	5

NEEDLE THREAD
SHAPE LENGTH

22mm



▲ CONVENTIONAL CUTTING UNDYED (CC-U)



● TAPER FINE-UNDYED (TF-U)

1/2	45
-----	----

			Q3422 CC-U	Q3322 CC-U				
--	--	--	------------	------------	--	--	--	--

1/2	75
-----	----

			Q3422 TF-U	Q3322 TF-U				
--	--	--	------------	------------	--	--	--	--

24mm




▼ SUPER GLIDE UNDYED (SG-U)


3/8	70
-----	----

			Q3424 SG-U	Q3324 SG-U	Q3224 SG-U			
--	--	--	------------	------------	------------	--	--	--

26mm



▼ FINE REVERSE CUTTING UNDYED (FRC)



● TAPER FINE-UNDYED (TF-U)


3/8	70
-----	----

			Q3326 FRC-U	Q3226 FRC-U				
--	--	--	-------------	-------------	--	--	--	--

1/2	70
-----	----

				Q3226 TF-U				
--	--	--	--	------------	--	--	--	--

30mm




● TAPER FINE-UNDYED (TF-U)

1/2	75
-----	----

			Q3330 TF-U	Q3230 TF-U				
--	--	--	------------	------------	--	--	--	--

36mm



▼ REVERSE CUTTING-UNDYED (RC-U)

● TAPER FINE-UNDYED (TF-U)

● TAPER HEAVY-UNDYED (TH-U)

1/2	90
-----	----

				Q3236 RC-U				
--	--	--	--	------------	--	--	--	--


1/2	90
-----	----

				Q3236 TF-U	Q3036 TF-U	Q3136 TF-U		
--	--	--	--	------------	------------	------------	--	--

1/2	90
-----	----

					Q3036 TH-U			
--	--	--	--	--	------------	--	--	--

40mm



▼ REVERSE CUTTING-UNDYED (RC-U)

● TAPER HEAVY-UNDYED (TH-U)

1/2	90
-----	----

						Q3140 RC-U		
--	--	--	--	--	--	------------	--	--

1/2	90
-----	----

					Q3040 TH-U	Q3140 TH-U		
--	--	--	--	--	------------	------------	--	--

60mm



▼ STRAIGHT CUTTING-UNDYED (SC-U)


STRAIGHT	75
----------	----

			Q3360 SC-U	Q3260 SC-U				
--	--	--	------------	------------	--	--	--	--

GAUGE

	6/0	5/0	4/0	3/0	2/0	0	1	2
USP	6/0	5/0	4/0	3/0	2/0	0	1	2
METRIC	0.7	1	1.5	2	3	3.5	4	5

13mm



▼ SUPER GLIDE (SG)
● TAPER FINE (TF)

NEEDLE THREAD
SHAPE LENGTH

3/8 45

3/8 45

4613 SG 4513 SG

4613 TF

16mm



▼ SUPER GLIDE (SG)

3/8 70

4616 SG 4516 SG

19mm



▼ SUPER GLIDE (SG)

3/8 70

4519 SG 4419 SG 4319 SG

24mm



▼ SUPER GLIDE (SG)

3/8 70

4424 SG 4324 SG 4224 SG

90mm



▲ CONVENTIONAL CUTTING (CC)

3/8 100


4290 CC 4090 CC 4190 CC

GAUGE

	6/0	5/0	4/0	3/0	2/0	0	1	2
USP	6/0	5/0	4/0	3/0	2/0	0	1	2
METRIC	0.7	1	1.5	2	3	3.5	4	5

NEEDLE THREAD
SHAPE LENGTH


11mm




▼ REVERSE CUTTING (RC)

3/8	45	5611 RC						
-----	----	---------	--	--	--	--	--	--

12mm



▼ REVERSE CUTTING (RC)




▼ REVERSE CUTTING (RC2)


3/8	45	5612 RC	5512 RC					
-----	----	---------	---------	--	--	--	--	--

3/8	45	5612 RC2						
-----	----	----------	--	--	--	--	--	--

13mm



▼ REVERSE CUTTING (RC)




▼ REVERSE CUTTING (RC2)


3/8	45		5413 RC					
-----	----	--	---------	--	--	--	--	--

3/8	45		5413 RC2					
-----	----	--	----------	--	--	--	--	--


16mm



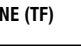
● TAPER FINE (TF)




▲ CONVENTIONAL CUTTING (CC)



▼ REVERSE CUTTING (RC)



▲ CONVENTIONAL CUTTING (CC)



● TAPER FINE (TF)

1/2	75		5416 TF12	5316 TF				
-----	----	--	-----------	---------	--	--	--	--


3/8	45		5516 CC					
-----	----	--	---------	--	--	--	--	--

3/8	45	5616 RC	5516 RC	5416 RC				
-----	----	---------	---------	---------	--	--	--	--

3/8	75		5416 CC	5316 CC	5216 CC			
-----	----	--	---------	---------	---------	--	--	--

3/8	75		5416 TF					
-----	----	--	---------	--	--	--	--	--

19mm



▼ REVERSE CUTTING (RC)


3/8	45	5619 RC	5519 RC	5419 RC	5319 RC			
-----	----	---------	---------	---------	---------	--	--	--

GAUGE

USP	6/0	5/0	4/0	3/0	2/0	0	1	2
METRIC	0.7	1	1.5	2	3	3.5	4	5

NEEDLE THREAD
SHAPE LENGTH

20mm



- TAPER FINE (TF)
- ▲ FINE CONVENTIONAL CUTTING (FCC)

1/2	75	5520 TF	5420 TF	5320 TF	5220 TF			
3/8	45		5420 FCC	5320 FCC				


22mm



- ▲ CONVENTIONAL CUTTING (CC)

1/2	45			5322 CC	5222 CC			
-----	----	--	--	---------	---------	--	--	--

24mm



- ▼ REVERSE CUTTING (RC)
- ▼ REVERSE CUTTING (RC)

3/8	45		5424 RC	5324 RC				
3/8	75				5224 RC			


25mm



- ▲ FINE CONVENTIONAL CUTTING (FCC)

3/8	45		5425 FCC	5325 FCC	5225 FCC			
-----	----	--	----------	----------	----------	--	--	--


26mm



- TAPER FINE (TF)
- ▼ REVERSE CUTTING (RC)

1/2	75		5426 TF	5326 TF	5226 TF	5026 TF		
3/8	45		5426 RC	5326 RC	5226 RC			

30mm



- TAPER FINE (TF)
- TAPER HEAVY (TH)
- ▼ REVERSE CUTTING (RC)

1/2	75			5330 TF	5230 TF	5030 TF	5130 TF	
1/2	75						5130 TH	
3/8	45				5230 RC	5030 RC	5130 RC	


GAUGE

USP	6/0	5/0	4/0	3/0	2/0	0	1	2
METRIC	0.7	1	1.5	2	3	3.5	4	5

NEEDLE
SHAPE

THREAD
LENGTH

34mm




● TAPER FINE (TF)


1/2 75

5134 TF

35mm



● TAPER HEAVY (TH)



▼ REVERSE CUTTING (RC)

1/2 75

5135 TH


3/8 75

5335 RC

5235 RC

5035 RC

36mm




▼ REVERSE CUTTING (RC)

1/2 75

5136 RC

40mm



● TAPER FINE (TF)

● TAPER HEAVY (TH)

1/2 75

5240 TF

5040 TF


5140 TF

1/2 75

5140 TH

52240 TH

45mm




▼ REVERSE CUTTING (RC)

3/8 75

5045 RC

50mm



▼ REVERSE CUTTING (RC)

1/2 75

5050 RC

GAUGE

USP	6/0	5/0	4/0	3/0	2/0	0	1	2
METRIC	0.7	1	1.5	2	3	3.5	4	5


NEEDLE THREAD
SHAPE LENGTH

55mm

 ▲ STRAIGHT CUTTING (SC)

STRAIGHT 100

								5255 SC		
--	--	--	--	--	--	--	--	---------	--	--

60mm

 ▲ STRAIGHT CUTTING (SC)
 ▲ STRAIGHT CUTTING (SC)

STRAIGHT 75

								5260 SC		
--	--	--	--	--	--	--	--	---------	--	--

STRAIGHT 100


								5360 SC		
--	--	--	--	--	--	--	--	---------	--	--

75mm

 ▲ STRAIGHT CUTTING (SC)


STRAIGHT 100

								5275 SC	5075 SC	
--	--	--	--	--	--	--	--	---------	---------	--

80mm

 ▲ CONVENTIONAL CUTTING (CC)

3/8 100

								5380 CC	5280 CC	5080 CC
--	--	--	--	--	--	--	--	---------	---------	---------

90mm

 ▲ CONVENTIONAL CUTTING (CC)

3/8 100

								5290 CC	5090 CC	5190 CC
--	--	--	--	--	--	--	--	---------	---------	---------

BRAIDED SILK LIGATURES

TIES

STANDARD LENGTHS

STANDARD LENGTHS

STANDARD LENGTHS

STANDARD LENGTHS

- 17 X 45

			S501	S502	S503	S504	S505	S506		
--	--	--	------	------	------	------	------	------	--	--

- 13 X 60

			S511	S512	S513	S514	S515	S516		
--	--	--	------	------	------	------	------	------	--	--

- 10 X 75









			S521	S522	S523	S524	S525	S526		
--	--	--	------	------	------	------	------	------	--	--

- 180

			S591	S592	S593	S594	S595	S596		
--	--	--	------	------	------	------	------	------	--	--

GAUGE

	6/0	5/0	4/0	3/0	2/0	0	1	2
USP	6/0	5/0	4/0	3/0	2/0	0	1	2
METRIC	0.7	1	1.5	2	3	3.5	4	5

NEEDLE SHAPE	THREAD LENGTH	GAUGE							
		6/0	5/0	4/0	3/0	2/0	0	1	2
10mm  ▼ REVERSE CUTTING (RC)	3/8 45	6610 RC							
12mm  ▼ REVERSE CUTTING (RC)	3/8 45	6612 RC	6512 RC						
13mm  ▼ REVERSE CUTTING (RC)	3/8 45				6413 RC				
15mm  ▲ FINE CONVENTIONAL CUTTING (FCC)	3/8 45	6515 FCC							
16mm  ▲ CONVENTIONAL CUTTING (CC) ▼ REVERSE CUTTING (RC)	3/8 45	6616 CC	6416 CC		6316 CC				
	3/8 45	6616 RC	6516 RC						
19mm  ▼ REVERSE CUTTING (RC)	3/8 45	6519 RC		6419 RC	6319 RC				
20mm  ▲ CONVENTIONAL CUTTING (CC) ▲ FINE CONVENTIONAL CUTTING (FCC)	3/8 45	6320 CC							
	3/8 45	6520 FCC		6420 FCC					
22mm  ● TAPER FINE (TF)	1/2 75	6322 TF							

GAUGE

USP	6/0	5/0	4/0	3/0	2/0	0	1	2
METRIC	0.7	1	1.5	2	3	3.5	4	5

NEEDLE THREAD
SHAPE LENGTH


24mm




▼ REVERSE CUTTING (RC)

3/8	45		6424 RC	6324 RC	6224 RC			
-----	----	--	---------	---------	---------	--	--	--


25mm



▲ CONVENTIONAL CUTTING (C)



▲ FINE CONVENTIONAL CUTTING (FCC)




● TAPER FINE (TF)

3/8	45				6225 CC			
-----	----	--	--	--	---------	--	--	--


3/8	45	6525 FCC		6325 FCC				
-----	----	----------	--	----------	--	--	--	--

1/2	75		6425 TF					
-----	----	--	---------	--	--	--	--	--

26mm



▲ CONVENTIONAL CUTTING (CC)




▼ REVERSE CUTTING (RC)


3/8	45			6326 CC				
-----	----	--	--	---------	--	--	--	--

3/8	45			6326 RC	6226 RC			
-----	----	--	--	---------	---------	--	--	--


30mm



▼ REVERSE CUTTING (RC)



● TAPER FINE (TF)




● TAPER FINE (TF)

3/8	75			6330 RC	6230 RC	6030 RC		
-----	----	--	--	---------	---------	---------	--	--


1/2	75				6230 TF	6030 TF		
-----	----	--	--	--	---------	---------	--	--

1/2	100						6130 TF	
-----	-----	--	--	--	--	--	---------	--

35mm



▼ REVERSE CUTTING (RC)




● TAPER FINE (TF)

3/8	75			6335 RC	6235 RC			
-----	----	--	--	---------	---------	--	--	--

1/2	75						6135 TF	
-----	----	--	--	--	--	--	---------	--


37mm



▼ REVERSE CUTTING (RC)

1/2	75						6137 RC	
-----	----	--	--	--	--	--	---------	--

39mm



▼ REVERSE CUTTING (RC)


3/8	75			6339 RC				
-----	----	--	--	---------	--	--	--	--

GAUGE

USP	6/0	5/0	4/0	3/0	2/0	0	1	2
METRIC	0.7	1	1.5	2	3	3.5	4	5

40mm

▲ CONVENTIONAL CUTTING (CC)



▼ REVERSE CUTTING (RC)


▼ REVERSE CUTTING (RC)

● TAPER FINE (TF)

● TAPER HEAVY (TH)

45mm


▼ REVERSE CUTTING (RC)



⊕ TAPER CUTTING LOOP (TCL)

50mm

▼ REVERSE CUTTING (RC)



55mm

▲ STRAIGHT CUTTING (SC)



60mm

▲ STRAIGHT CUTTING (SC)



80mm

▲ CONVENTIONAL CUTTING (CC)



90mm

▲ CONVENTIONAL CUTTING (CC)



NYLON LIGATURES

TIES STANDARD LENGTHS

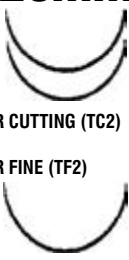
NEEDLE SHAPE	THREAD LENGTH	6/0	5/0	4/0	3/0	2/0	0	1	2	
3/8	45	6240 CC								
1/2	100						6040 RC	6140 RC	62240 RC	
1/2	75	6240 RC								
1/2	100						6040 TF	6140 TF		
1/2	100						6040 TH	6140 TH	62240 TH	
3/8	100	6245 RC								
1/2	240						6045 TCL	6145 TCL		
1/2	100						6150RC			
STRAIGHT	100	6255 SC								
STRAIGHT	100	6260 SC								
3/8	100				6380 CC	6280 CC	6080 CC			
3/8	100					6290 CC	6090 CC	6190 CC	62290 CC	
-	2 X 100				N182	N183	N184	N185	N186	

GAUGE

USP	6/0	5/0	4/0	3/0	2/0	0	1	2
METRIC	0.7	1	1.5	2	3	3.5	4	5

NEEDLE THREAD
SHAPE LENGTH


26mm



- ⊕ TAPER CUTTING (TC2)
- TAPER FINE (TF2)
- TAPER FINE (TF)

1/2	90	7226 TC2						
1/2	90	7426 TF2	7326 TF2	7226 TF2				
1/2	75	7226 TF						


30mm



- TAPER FINE (TF2)
- TAPER FINE (TF)

1/2	90	7330 TF2						
1/2	75	7330 TF	7230 TF	7030 TF				

80mm



- ▲ CONVENTIONAL CUTTING (CC)

3/8	100	7280 CC						
-----	-----	---------	--	--	--	--	--	--


90mm



- ▲ CONVENTIONAL CUTTING (CC)

3/8	100	7290 CC	7090 CC					
-----	-----	---------	---------	--	--	--	--	--


48mm



- TAPER HEAVY CERVIX SUTURES
5mm POLYESTER TAPE

1/2	50	CS 48						
-----	----	-------	--	--	--	--	--	--

65mm



- BLUNT POINT CERVIX SUTURES
5mm POLYESTER TAPE


1/2	50	CS 65B						
-----	----	--------	--	--	--	--	--	--

GAUGE

	6/0	5/0	4/0	3/0	2/0	0	1	2
USP	6/0	5/0	4/0	3/0	2/0	0	1	2
METRIC	0.7	1	1.5	2	3	3.5	4	5

NEEDLE THREAD
SHAPE LENGTH

36mm




- ▼ REVERSE CUTTING (RC)
- TAPER FINE (TF)

1/2	70
1/2	70

						8236 RC	8036 RC	
						8236 TF		8136 TF

40mm




- ▼ REVERSE CUTTING (RC)
- TAPER HEAVY (TH)

1/2	90
1/2	90

								8140 RC
						8040 TH		8140 TH

40mm




- TAPER HEAVY LOOP (THL)

1/2	150
-----	-----

						8040 THL	8140 THL	
--	--	--	--	--	--	----------	----------	--

48mm




- TAPER HEAVY (TH)

1/2	90
-----	----

								8148 TH
--	--	--	--	--	--	--	--	---------

48mm




- TAPER CUTTING HEAVY LOOP (TCHL)

1/2	150
-----	-----

								8148 TCHL
--	--	--	--	--	--	--	--	-----------

65mm



- TAPER CUTTING HEAVY LOOP (TCHL)

1/2	220
-----	-----

								8165 TCHL
--	--	--	--	--	--	--	--	-----------

RAPID ABSORPTION

USP	6/0	5/0	4/0	3/0	2/0	0	1	2
METRIC	0.7	1	1.5	2	3	3.5	4	5

NEEDLE THREAD
SHAPE LENGTH

11mm



▼ SUPER GLIDE UNDYED (SG-U)

3/8 45

Q8611 SG-U

13mm



▼ SUPER GLIDE UNDYED (SG-U)

3/8 45

Q8513 SG-U Q8413 SG-U

16mm



▼ SUPER GLIDE UNDYED (SG-U)

3/8 70

Q8516 SG-U Q8416 SG-U

17mm



● TAPER FINE UNDYED (TF-U)

1/2 70

Q8517 TF-U Q8417 TF-U

19mm




▼ SUPER GLIDE UNDYED (SG-U)

3/8 70

Q8519 SG-U Q8419 SG-U Q8319 SG-U

20mm



● TAPER FINE UNDYED (TF-U)

● TAPER FINE UNDYED (TF-U)

1/2 70

Q8420 TF-U

1/2 45

Q8320 TF-U

24mm



▼ SUPER GLIDE UNDYED (SG-U)

3/8 70

Q8424 SG-U Q8324 SG-U Q8224 SG-U

26mm



⊕ TAPER CUTTING UNDYED (TC-U)


1/2 70

Q8226 TC-U

RAPID ABSORPTION

USP	6/0	5/0	4/0	3/0	2/0	0	1	2
METRIC	0.7	1	1.5	2	3	3.5	4	5

30mm




● TAPER FINE UNDYED (TF-U)

NEEDLE THREAD
SHAPE LENGTH

1/2 70

Q8330 TF-U

36mm




▼ REVERSE CUTTING UNDYED (RC-U)

1/2 70

Q8036 RC-U

40mm



● BLUNT POINT UNDYED (BP-U)
▼ REVERSE CUTTING UNDYED (RC-U)
● TAPER HEAVY UNDYED (TH)

1/2 90

Q8040 BP-U

1/2 90

Q8140 RC-U

1/2 90

Q8040 TH-U Q8140 TH-U

45mm




● TAPER FINE UNDYED (TF-U)

1/2 90

Q8145 TH-U

60mm



▲ STRAIGHT CUTTING UNDYED (SC-U)

STRAIGHT 70

Q8360 SC-U Q8260 SC-U

GAUGE


	6/0	5/0	4/0	3/0	2/0	0	1	2
USP	6/0	5/0	4/0	3/0	2/0	0	1	2
METRIC	0.7	1	1.5	2	3	3.5	4	5

10mm




▼ FINE REVERSE CUTTING (FRC)

13mm



● TAPER FINE (TF)
▲ FINE CONVENTIONAL CUTTING (FCC)
▼ FINE REVERSE CUTTING (FRC)




● TAPER FINE (TF2)

15mm




▲ FINE CONVENTIONAL CUTTING (FCC)


16mm



▲ CONVENTIONAL CUTTING (CC)
▼ FINE REVERSE CUTTING (FRC)
▼ REVERSE CUTTING (RC)
▼ REVERSE CUTTING (RC)



● TAPER FINE (TF)
● TAPER FINE (TF2)



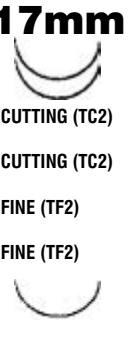
NEEDLE SHAPE	THREAD LENGTH	6/0	5/0	4/0	3/0	2/0	0	1	2
▼	45	9610 FRC							
●	75	9513 TF							
▲	60	9613 FCC							
▼	45	9613 FRC 9513 FRC							
●	90	9613 TF2 9513 TF2							
▲	45	9515 FCC 9415 FCC							
▲	45	9416 CC 9316 CC							
▼	45	9516 FRC							
▼	45	9416 RC							
▼	75	9516 RC							
●	75	9416 TF							
●	90	9516 TF2 9416 TF2							

GAUGE

USP	6/0	5/0	4/0	3/0	2/0	0	1	2
METRIC	0.7	1	1.5	2	3	3.5	4	5


NEEDLE THREAD
SHAPE LENGTH

17mm



- ⊕ TAPER CUTTING (TC2)
- ⊕ TAPER CUTTING (TC2)
- TAPER FINE (TF2)
- TAPER FINE (TF2)
- TAPER FINE (TF)

19mm



- ▼ FINE REVERSE CUTTING (FRC)
- ▼ REVERSE CUTTING (RC)

20mm



- ▲ FINE CONVENTIONAL CUTTING (FCC)

22mm



- ▲ CONVENTIONAL CUTTING (CC)

24mm




- ▼ REVERSE CUTTING (RC)

NEEDLE SHAPE	THREAD LENGTH	6/0	5/0	4/0	3/0	2/0	0	1	2	
1/2	75	9217 TC2								
1/2	90	9517 TC2		9317 TC2						
1/2	75					9317 TF2				
1/2	90	9517 TF2		9417 TF2						
1/2	75				9417 TF		9317 TF			
3/8	45	9419 FRC								
3/8	45	9519 RC		9419 RC		9319 RC				
3/8	45	9520 FCC		9420 FCC		9320 FCC				
1/2	45						9322 CC			
3/8	45						9324 RC			


GAUGE

USP	6/0	5/0	4/0	3/0	2/0	0	1	2
METRIC	0.7	1	1.5	2	3	3.5	4	5

25mm




▲ FINE CONVENTIONAL CUTTING (FCC)




⊕ TAPER CUTTING (TC)


26mm




▲ CONVENTIONAL CUTTING (CC)



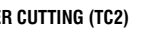
▼ REVERSE CUTTING (RC)



● TAPER FINE (TF)




⊕ TAPER CUTTING (TC2)

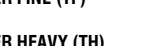


● TAPER FINE (TF2)


30mm



● TAPER FINE (TF)




● TAPER HEAVY (TH)



● TAPER FINE (TF2)

35mm




⊕ TAPER CUTTING (TC)

NEEDLE SHAPE	THREAD LENGTH	6/0	5/0	4/0	3/0	2/0	0	1	2
⊕	3/8 45					9325 FCC			
⊕	1/2 75					9325 TC	9225 TC		
▲	3/8 45			9426 CC	9326 CC				
▼	3/8 75						9226 RC		
▼	3/8 45					9326 RC			
●	1/2 75			9426 TF	9326 TF	9226 TF	9026 TF		
⊕	1/2 90			9426 TC2	9326 TC2	9226 TC2			
●	1/2 90			9426 TF2	9326 TF2	9226 TF2			
●	1/2 75				9330 TF	9230 TF	9030 TF		
●	1/2 75							9130 TH	
●	1/2 90					9230 TF2			
⊕	1/2 100							9035 TC	


GAUGE

USP	6/0	5/0	4/0	3/0	2/0	0	1	2
METRIC	0.7	1	1.5	2	3	3.5	4	5

40mm



▲ FINE CONVENTIONAL CUTTING (FCC)



● TAPER FINE (TF)

● TAPER HEAVY (TH)

55mm



▲ STRAIGHT CUTTING (SC)

60mm




▲ STRAIGHT CUTTING (SC)

75mm



▲ STRAIGHT CUTTING (SC)

90mm



▲ CONVENTIONAL CUTTING (CC)


NEEDLE THREAD
SHAPE LENGTH

NEEDLE SHAPE	THREAD LENGTH	6/0	5/0	4/0	3/0	2/0	0	1	2	
3/8	100	9240 FCC								
1/2	75	9040 TF						9040 TH		9140 TH
1/2	100	9040 TH						9140 TH		
STRAIGHT	90	9255 SC								
STRAIGHT	75	9360 SC				9260 SC				
STRAIGHT	100	9275 SC								
3/8	100	9290 CC								

GAUGE

USP	6/0	5/0	4/0	3/0	2/0	0	1	2
METRIC	0.7	1	1.5	2	3	3.5	4	5

30mm




● TAPER FINE (TF)

NEEDLE THREAD
SHAPE LENGTH

1/2 75

						10230 TF	10030 TF		
--	--	--	--	--	--	----------	----------	--	--

40mm



● TAPER FINE (TF)

1/2 75

						10240 TF			
--	--	--	--	--	--	----------	--	--	--

LINEN LIGATURES

TIES

STANDARD LENGTHS

- 150

			L1002	L1003	L1004	L1005		
--	--	--	-------	-------	-------	-------	--	--

- 250

			L1102	L1103	L1104	L1105	L1106	
--	--	--	-------	-------	-------	-------	-------	--

- 13 X 60

			L1012	L1013	L1014	L1015		
--	--	--	-------	-------	-------	-------	--	--